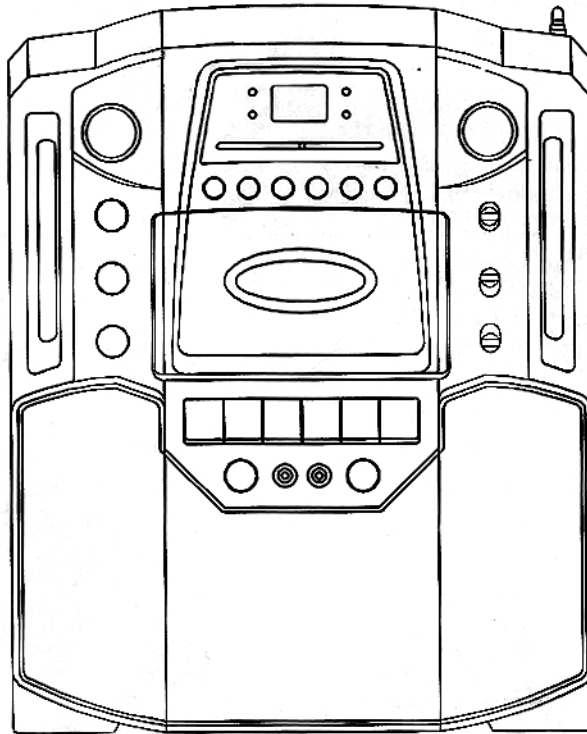




**PORTABLE SINGALONG KARAOKE PARTY MACHINE
WITH RADIO/CASSETTE RECORDER/CD PLAYER**



KA9176 / KA2335

INSTRUCTION MANUAL

**IMPORTANT: PLEASE READ SAFETY INSTRUCTIONS BEFORE YOU READ
THIS OPERATION MANUAL.**

TABLE OF CONTENTS

TABLE OF CONTENTS	1
IMPORTANT SAFEGUARDS	2 - 3
LOCATION OF CONTROLS	4
POWER SOURCE	5
AC Power	5
Battery Operation	5
LISTENING TO A TAPE	5
Cassette Operation	5
To Turn off the Unit	5
LISTENING TO RADIO	5 - 6
Radio Operation	5 - 6
LISTENING TO A COMPACT DISC	6 - 7
CD Playing Operation	6 - 7
Programme	7
SINGALONG KARAOKE FEATURE	7
Getting Microphone Ready	7
Singalong	7
Muting Music or Voice of Singer (Balance)	8
RECORDING	8
Recording	8
GENERAL INFORMATION	9
Care and Maintenance	9
TROUBLE SHOOTING GUIDE	10

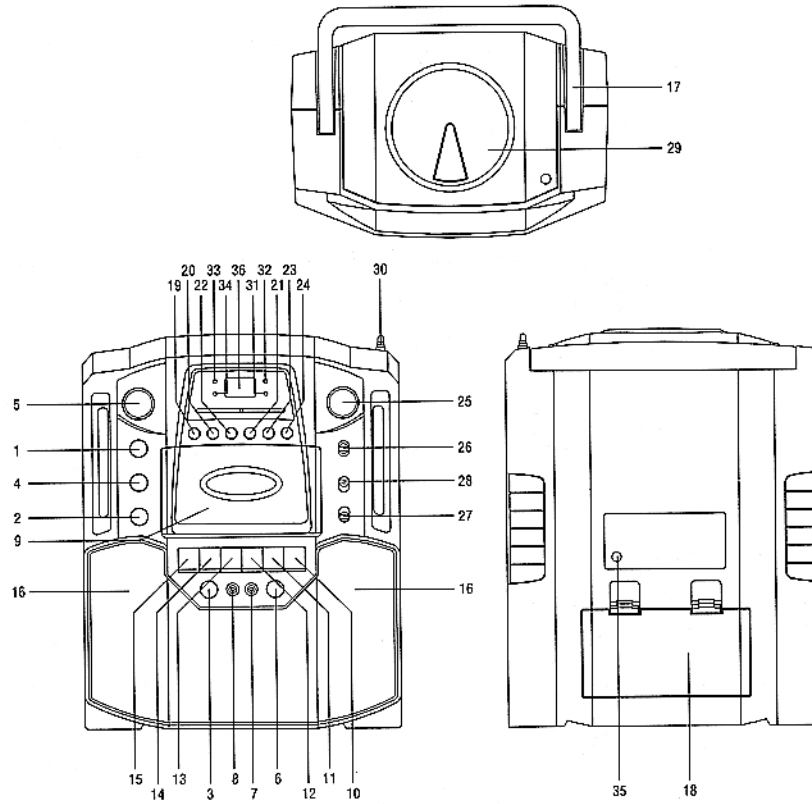
IMPORTANT...SAFEGUARDS

Please read all the following Safety & Operating Instructions, prior to operating your appliance, and store in a safe place for future reference.

1. **POWER SOURCE:** This unit should be connected to a power supply only of the type described in operating instructions or as marked on the appliance.
2. **POWER CORD PROTECTION:** Power-supply cords should be routed so that they are not likely to be walked on or pinched by items placed upon or against them, paying particular attention to cords at plugs, convenience receptacles, and the point at which they exit from the unit.
3. **GROUNDING OR POLARIZATION:** Precaution should be taken not to defeat the safety purpose of grounding or polarization. If your appliance comes equipped with a polarized plug, use only an outlet equipped to accept a polarized plug.
4. **NON-USE PERIODS:** If the appliance will not be used for a long period of time, it should be unplugged from the outlet.
5. **HEED WARNINGS:** All warnings on the appliance and in the operating instructions should be adhered to.
6. **WATER AND MOISTURE:** This appliance should not be used near water, for example - bathtub, wash bowl, kitchen sink, laundry tub, in a wet basement, near a swimming pool, etc.
7. **VENTILATION:** The unit should be placed in a position that does not interfere with its proper ventilation. For example, the appliance should not be situated on a bed, sofa, rug or similar surface that may block ventilation openings.
8. **HEAT:** This product should not be situated near heat sources such as radiators, heat registers, gloves, or other heat producing items (including amplifiers).
9. **OBJECTS AND LIQUID ENTRY:** Never insert objects of any kind into this product through ventilation openings as they may touch dangerous voltage points or short-out parts that could result in a fire or electric shock. Avoid spilling liquid of any kind on or into the appliance.
10. **CLEANING:** Do not use chemicals or aerosol cleaners on this product. Wipe with a water dampened cloth.
11. **CARTS AND STANDS:** If unit is placed on a combination cart/stand, care should be taken when moving. Quick stops, excessive force, and uneven surfaces may cause the unit to overturn.
12. **ENCLOSURE REMOVAL:** Never remove the enclosure. If internal parts are accidentally touched, a serious electric shock might occur.
13. **SERVICING:** The user should not attempt to service the appliance beyond that described in the operating instructions. All other servicing should be referred to qualified service personnel.
14. **DAMAGE REQUIRING SERVICE:** This product should be fixed by qualified service personnel under the following conditions:

- a. When the power-supply cord or plug has been damaged.
 - b. If liquid has been spilled, or objects have fallen into the unit.
 - c. If the unit is exposed to rain or water.
 - d. If the unit has been dropped or damaged in any way.
 - e. When the product exhibits a distinct change in performance.
15. **MAGNETIC FIELDS:** Keep the appliance away from sources of magnetic field such as TV sets, speaker systems, motorized toys or magnetized objects.
16. **ABNORMAL SMELL:** If an abnormal smell or smoke is detected, immediately turn the power off and pull the power cord from outlet. Contact the service center for assistance.
17. **OUTDOOR ANTENNA GROUNDING:**
(FOR UNITS WITH ANTENNA CONNECTION JACKS ONLY):
If an outside antenna is connected to the receiver, be sure the antenna system is grounded so as to provide some protection against voltage surges and built up static charges. Section B10 of the National Electrical Code, ANAI/NFPA No 70-1984, provides information with respect to proper grounding of the mast and supporting structure, grounding of the lead-in wire to an antenna discharge unit, size of grounding electrodes, and requirements for the grounding electrode. See Figure.

LOCATION OF CONTROLS



- 1. Power ON/OFF
 - 2. Echo Control
 - 3. Mic Volume 1
 - 4. Balance
 - 5. Volume Control
 - 6. Mic Volume 2
 - 7. Mic Jack 2
 - 8. Mic Jack 1
- CASSETTE PLAYER**
- 9. Cassette door
 - 10. Pause
 - 11. Stop/EJ
 - 12. F. FWD
 - 13. REW.
 - 14. Play
 - 15. Record
 - 16. Speaker
 - 17. Handle
 - 18. Battery compartment

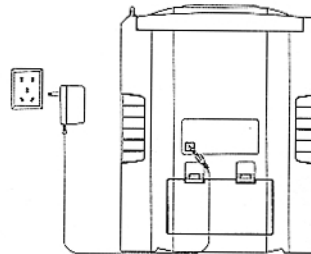
- CD PLAYER**
- 19. Stop
 - 20. Play/Pause
 - 21. Skip up
 - 22. Skip down
 - 23. Program
 - 24. Repeat
 - 25. Radio tuning
 - 26. Band selector
 - 27. Function selector
 - 28. Stereo/Mono selector
 - 29. CD door
 - 30. Antenna
 - 31. Stereo indicator
 - 32. Power indicator
 - 33. CD play indicator
 - 34. CD repeat indicator
 - 35. DC jack (for AC adaptor)
 - 36. LED display

POWER SOURCES

AC POWER

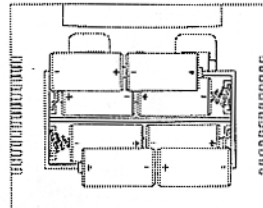
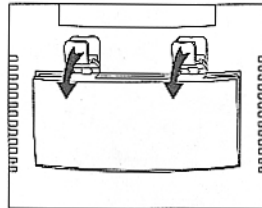
Insert one end of the supplied adapter into the DC jack at the rear of the unit and the other end into a 120V/60Hz watt outlet.

- * Make sure unit is OFF before connect the power.
- * Use only provided adaptor.



Battery Power

1. Unplug the AC adapter from the unit.
2. Open battery cover with a screw driver. Insert 8 "D" size alkaline batteries (not included) with polarities as shown into the battery compartment.
3. Close the battery compartment cover.



When to replace the batteries

Replace the old batteries with new ones when the sound becomes unstable or cannot be heard.

- * Do not mix old and new batteries.
- * Do not mix alkaline, standard (carbon-zinc) or rechargeable (nickel-cadmium) batteries.

LISTENING TO A TAPE

1. Press the **Power ON/OFF Switch** to turn on the unit.
2. Set the **Function Selector** to Tape position.
3. Insert a prerecorded tape.
4. Press the **Play Key** to start playing. The tape stops automatically at the end of the tape.
5. Adjust **Volume Control** to the appropriate loudness level as desired.

CASSETTE OPERATION

PAUSE	To temporarily stop the tape playing
STOP/EJ	Stop playing/open the cassette door while stopped
F. FWD	Fast forward the tape
REW	Rapidly rewind the tape
PLAY	Tape playing

To Turn off the Unit

Press the **Power ON/OFF Switch** again to turn off the unit.

LISTENING TO RADIO

Radio Operation

1. Set the **Function Selector** to the Radio position.
2. Select the desired frequency band with the **Band Selector**.
3. Tune to the desired radio station by turning the **Tuning Control**.
4. Adjust the **Volume Control** the desired level.
5. To turn off the radio, set the **Function Selector** to the Tape position.

Antenna

For FM reception there is a built-in telescopic **FM antenna** at the rear of the unit. Extend the antenna and move it around to obtain the best reception.

For AM reception the signals are picked up through a built-in ferrite antenna. You may have to orient the unit to obtain the best reception.

FM stereo and mono reception

When an FM signal is tuned in, setting the **Band Selector** to the FMS position will enable the broadcasting to be received in stereo sound. The **FM Stereo Indicator** will light up.

When stereo signals are weak and the reception is noisy, it is often preferable to receive the broadcasting in mono. Switch the **Band Selector** to FM (Mono). Reception will then be less noisy.

LISTENING TO A COMPACT DISC

To remove a disc from its storage case, press down on the centre of the case and lift the disc out, holding it carefully by the edges.

PREPARATION

- This unit is designed to play CD's bearing the Identification logo. If CD's do not conform to the CD standard, they may not properly play.
- Fingerprints and dust should be carefully wiped off with a soft cloth. Wipe in a straight motion from the center to the outside of the disc.
- Never use chemicals, such as record cleaning sprays, antistatic sprays or fluids, benzene or thinner to clean compact disc. These chemicals will permanently damage the plastic surface of the disc.
- Always place the compact disc on the disc tray with the label facing upward. Compact discs can be played on only one side.
- Disc should be returned to their cases after use, protect them from dust and scratches.
- To prevent warping the disc, do not expose it to direct sunlight, high humidity or high temperatures for extended periods of time.
- Do not apply paper or write anything on either side of the disc. The inks used in some felt-tips pens, may damage the surfaces of the disc.

CD Operation

Loading and Unloading Compact Discs

1. Set the **Function Selector** to the CD position.
2. Open the disc compartment.
3. When the door has opened, remove a disc from its case and place it carefully in the compartment with the label side facing up.
4. Close the door by pressing on the corner of the disc compartment door.

Playback

1. Load a CD into the disc compartment, and close the compartment.
 2. Press the **Play/Pause Button**. The play/pause indicator will light up and disc play will begin from the start of the first track of the disc.
 3. At the end of the disc, the unit will switch to stop mode and the play indicator will go out.
- Notes: If the disc is deeply scratched, or too dirty, disc play may not start.

To stop CD play

1. Press the **Stop Button**. Disc play will stop, the play indicator will go off, and the display will show the total number of tracks on the CD.
2. To temporarily stop disc play (pause mode), press the **Pause Button**. Disc play will stop at the current play position. The play/pause indicator will begin to flash.
3. To resume disc play, press the **Play Button** again. The play indicator will light up.

To skip to the next track

1. Press the **Skip Up Button** once to skip to the beginning of next track. Continuously pressing the **Skip Up Button** until the desired track is reached. Once the beginning of the last track is reached the CD player will not advance any further.

To skip back to the previous track on a disc

1. To skip back to the beginning of current track. Press the **Skip Down Button** once.
2. To skip back to the beginning of previous track, press the **Skip Down Button** skip track button twice.
Continuously pressing the **Skip Down Button** makes the CD player skip back through the disc track by track. Once the beginning of the first track is reached, the CD player will not go back any further.

Repeat

1. Repeat 1 - press **Repeat Button** once, the track no. shown will be repeated. The repeat indicator will on.
2. Repeat all - press **Repeat Button** twice, all tracks will be repeated. The repeat indicator will flash on.

Programmed disc play

It is not possible to enter programs during disc play. Press the **Stop Button** first, then follow the instructions below.

Press the **Program Button**. The "0" will be displayed on the CD display. Press the **Skip Up** and **Skip Down Buttons** to select the track and press **Program Button** then the desired track is to be stored.

Continue entering tracks in this way until all the desired tracks are stored (up to a limit of 19).

Listening to programmed tracks

Press the **Play/Pause Button** to start at the beginning of the first programmed track.

To clear the program memory

If the disc is playing, press the **Stop Button** to stop the disc. Or switch the **Function Selector** to a different position to clear the program.

SINGALONG KARAOKE FEATURE

Getting Microphone Ready

Plug a Microphone into either or both of the Microphone Jacks. Set the **Microphone ON/OFF Switch** to ON.

Singalong

This feature allows you to singalong with the tape and CD.

Note: You will hear your voice along with the tape through the speaker.

1. Play your desired tape. Refer to appropriate sections for details.
2. Plug in the Microphone. Refer to "Getting Microphone Ready" for details.
3. Sing or speak into the Microphone.
4. Adjust the volume of your voice with the **MIC Volume Control**.
5. Use the **Echo Control** to give your voice a studio sound effect.
6. Adjust volume.

BALANCE CONTROL

Muting Music or Voice of Singer (Balance)

Note: This feature can only be used when playing a professional karaoke tape and CD where the music and voice are recorded on different channels.

1. Play the prerecorded professional karaoke tape. Refer to "Listening to a Tape" for more details.
2. Turn the **Balance Control** all the way to the left.
Once the **Balance Control** is turned all the way to the left, the voice on the Professional Karaoke tape will no longer be heard.
3. Turn the **Balance Control** all the way to the right. The music portion of the tape will no longer be heard.
4. To singalong with just the music, turn the **Balance Control** all the way to the left. Plug in the microphone, adjust the **MIC Volume, Echo** and **Volume Controls** to the desired levels.

RECORDING

RECORDING FROM RADIO

Use Type 1 (normal) tape only

1. Press the **Power ON/OFF Switch** to turn ON the unit.
2. Insert a blank tape.
3. Plug in one or two microphones. Refer to "Getting Microphone Ready".
4. Press the **Pause Button** and the **Record Button**. The **Play Button** is automatically engaged when using the recording function.
5. Sing or speak into the microphone.
6. Adjust the volume of your voice with the **MIC Volume Control**.
7. Use the **Echo Control** to give your voice a studio sound effect.
8. Adjust the volume.
9. Release the **Pause Button** to start recording.

Note: Make sure microphone recording starts after the **Pause Button** is released. If recording from the beginning of the tape, allow 2-3 seconds for the tape leader to pass.

RECORDING FROM CD

1. Set **Function Selector** to CD position.
2. Put a disc into the CD compartment, then close the compartment.
3. Press **Play Button** to start play.
4. Press both **Play** and **Record Buttons** together to start record.

Stop Recording

Recording stops automatically at the end of the tape, or you can press the **Stop Button** to manually end recording.

GENERAL INFORMATION

Care and Maintenance

1. Use a soft, clean cloth moistened with plain lukewarm water to clean the exterior of the unit.
2. Never use solvents such as benzene or other strong chemical cleaners since these could damage the unit's finish.
3. It is important that no liquid reach the inside of the unit.

Cassette Tapes

1. If the tape is loose in its cassette, take up the slack by inserting a pencil in one of the reels and rotating the reel to tighten the tape.
2. If the tape is loose it may get stretched, cut, or caught in the cassette player.
3. Do not touch the tape surface.
4. To prevent recordings from being erased accidentally, remove the tab (S) A and B.
5. To record after the tabs have been broken off, tape over the slots A and B with a piece of adhesive tape.

Cleaning the Tape Head and Tape Path

For continued high performance from your cassette deck, periodically clean the head, pinch roller, and capstan. We recommend cleaning after every 20-30 hours of operation.

To clean the tape deck, press the **Stop/Eject Button** to open the cassette door. Remove any tape in the deck. Make sure that the power to the unit is off. Moisten a cotton swab with isopropyl alcohol or a special head cleaning fluid. Carefully rub the face of each head, pinch roller, and capstan with the moistened cotton swab.

TROUBLE SHOOTING GUIDE

Should this unit exhibit a problem, check the following before seeking service.

Symptom	Possible Cause	Solution
Radio		
Noise or sound distorted on radio broadcasts.	Station not tuned properly for AM or FM	Retune the AM or FM broadcast station.
	FM: Telescopic antenna is not properly adjusted.	Reorient FM telescopic antenna.
	AM: Unit is not positioned correctly.	Relate unit until best reception is obtained.
Cassette Player		
No sound.	TAPE Function button not proceed.	Press the TAPE Function button.
	Volume at minimum.	Increase Volume.
Sound distorted.	Dirty head.	Clean the head.
Speed varies.	Tape old or worn.	Replace the tape.
	Batteries are low.	Replace the batteries.
Cassette Recorder		
Will not record.	Erase prevention tab removed.	Cover hole with adhesive tape.
Distorted sound on playback.	Detective tape or dirty tape head.	Replace tape or clean tape head.
Compact Disc Player		
CD Player will not play.	CD Function button not pressed.	Press the CD Function button.
	CD is not installed or instamed upside-down.	Insert CD with label side up.
CD skips while playing.	Disc is dirty or scratched.	Wipe disc with cloth or use another disc.
General		
No Sound.	Power AC adaptor cord disconnected.	Connect AC adaptor cord.
	No batteries.	Insert batteries.

Customer Service : 1-800-919-3647

Memcorp, Inc.
Weston, FL
Printed in Hong Kong

Visit our website at www.memcorpinc.com

670-233500-01